

TIMER:

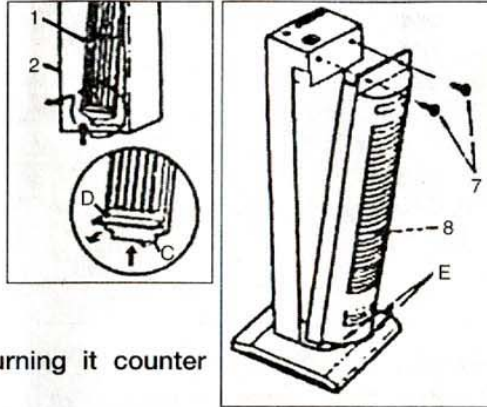
By setting the timer at the desired time, the fan will automatically stop when the time comes. When not using the timer, set the knob (5) at "ON".

If the knob is set at "O" the fan will not operate even if you push the push-button switch.

Caution: The fan should not be operated without a base nor used laying on its side.

GRILLE:

Remove the protruded section (C) by lifting the rib (D) and then pulling the grille (1).



REAR GUARD:

1. Remove the knob screw (7) by turning it counter clockwise.
2. Remove the protruded section (E) by pulling the rear guard (8).

CLEANING:

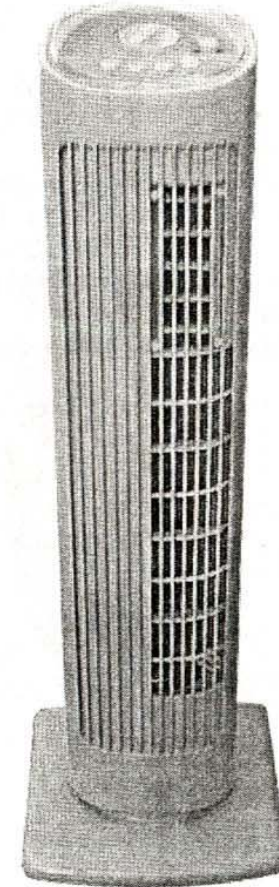
Body: Use a soft tissue or cloth to clean. In case dirt or grime does not come off easily, use a soapy water. Do not use benzine, thinner or other solvents.

Fan: Use a vacuum cleaner to clean. In case dirt or grime does not come off easily, use a brush. Do not use benzine or other solvents. Do not remove the fan from the front case

Caution: Take care not to stain the plastic parts with oil. Avoid using the place (kitchen or the like) oil is liable to stick to the parts. Damage, deterioration, etc are always caused by oil sticking.

INSTRUCTION MANUAL

29" TOWER FAN



IMPORTANT SAFETY INSTRUCTIONS

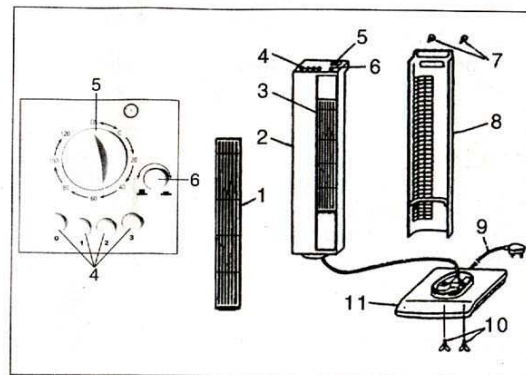
When using electrical appliances, basic safety precautions should always be followed including the following.

1. Use fan only as described in this manual. Other use not recommended may cause fire, electric shock or injury.
2. This fan is intended for household use Only and not for commercial or industrial use.
3. To protect against electric shock, do not place fan in window, immerse unit, put plug or cord in water or sprat with liquids.
4. Close supervision is necessary when any appliance is used by or near children.
5. Always unplug heater when not in use, when moving fan from one location to another, before putting on or taking off parts and before cleaning.
6. Avoid contacting moving parts.
7. Do not operate in the presence of explosive and/or flammable fumes.
8. Do not place fan or parts near an open flame, cooking or other heating appliance.
9. Do not operate fan with a damaged cord, plug or after the fan malfunctions or has been dropped or damaged in any manner.
10. The use of attachment not recommended by manufacturer may be hazardous.
11. Do not use outdoors.
12. Do not let cord hang over the edge of a table or counter, or let it touch any hot surfaces.
13. To disconnect, grip plug and pull from wall outlet, Never yank cord.
14. Do not hang on mount fan on a wall or ceiling.
15. Do not operate without fan grill properly in place.
16. Always use on a dry level floor.

TOWER FAN INSTRUCTION MANUAL

PARTS NAME:

1. Grille
2. Front case
3. Fan
4. Switch
5. Timer
6. Oscillation switch
7. Knob screw
8. Rear grille
9. Cord
10. Butterfly
11. Base



HOW TO ASSEMBLE:

1. Pass cord (9) through the hole of the base (11).
2. Insert the front case (2) into the base and turn the butterfly screws (10) clockwise.
3. Pass cord (9) through pillar of the base (11).

HOW TO USE:

To adjust the speed, simple push any one of the desired push-buttons (4).

- Off.....Stop
1low
2medium
3high

WIND DIRECTION ADJUSTMENT:

Wind direction change is possible in five horizontal gradations.

OSCILLATION:

Operated by manipulating oscillation switch (6).

■ ... starts oscillation, ■ ... stops oscillation.

Not oscillate when the push-button (4) is set at "O", or the timer knob is set at "O".